

Use of Current Buster in a Static Deployment



Presented by
Lance Douglas
Alaska Clean Seas
Lead Environmental Specialist







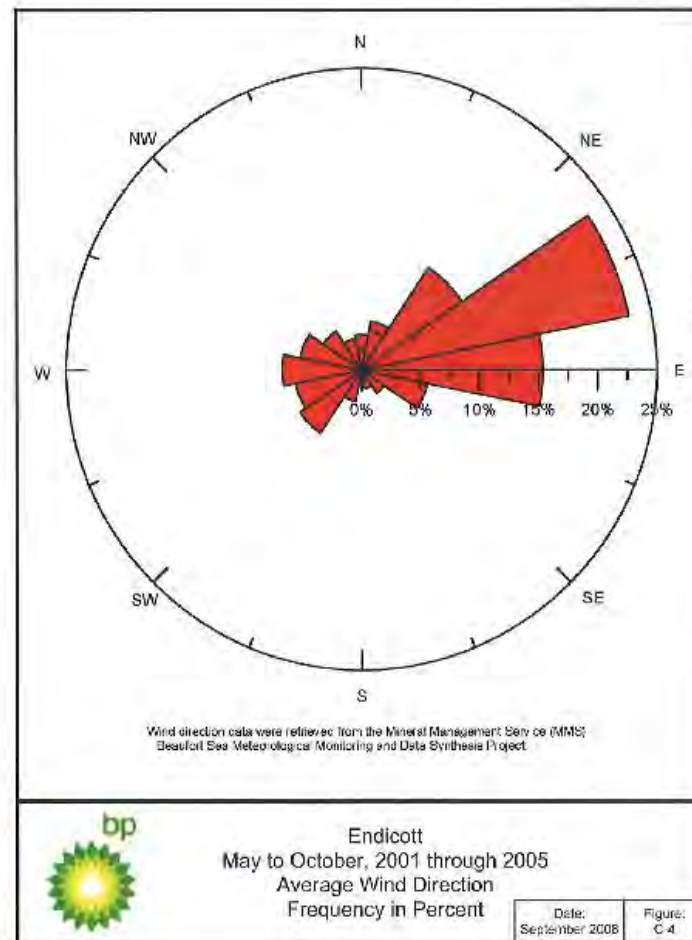
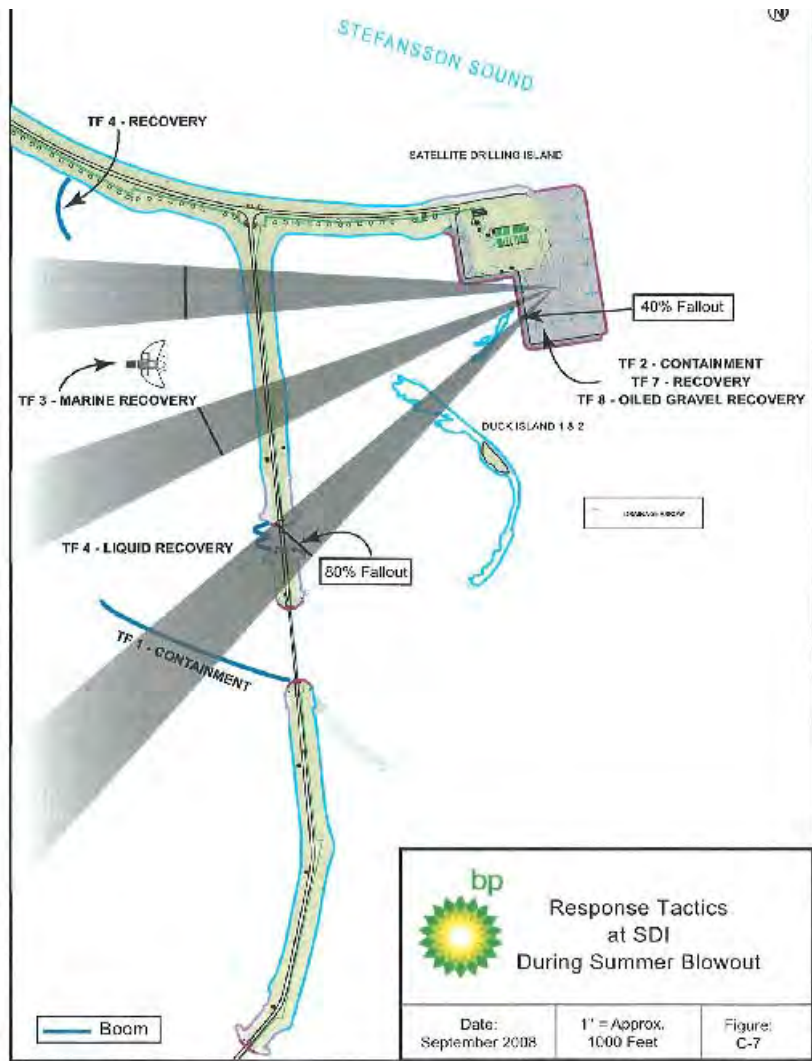
Setting the Scene



200' & 700' BREACH
August 30, 2001
Approximate Scale: 1"=300'
2001-18C-02-04
AEROMAP U.S.



Trajectory Modeling



Challenges

- Water level variations
- Swift Currents
- Access
- Logistics



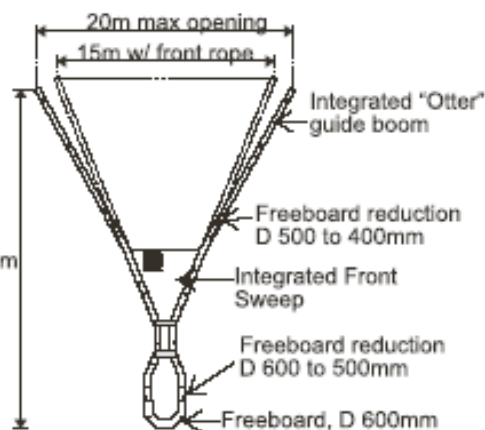
NOFI Current Busters



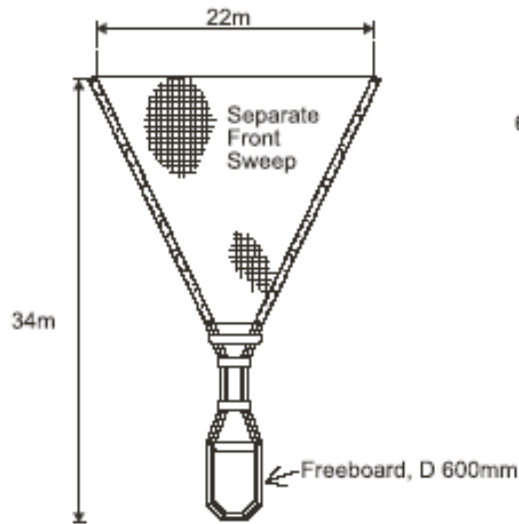
Types and Apps

NOFI Harbour Buster - a technological breakthrough in oil containment:

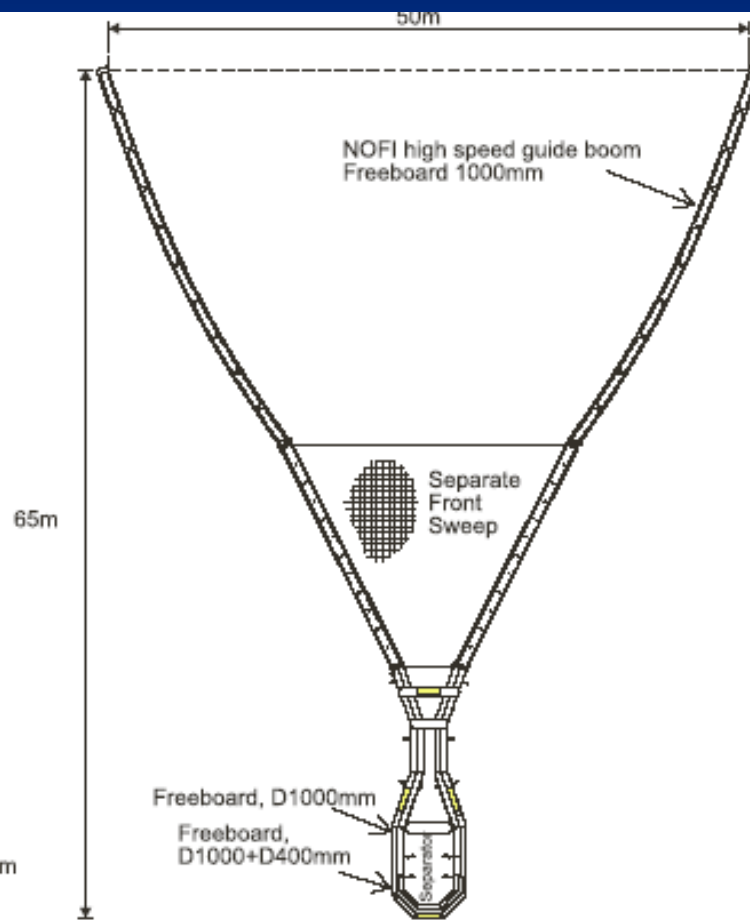
- 3 knots towing speed in regular waters
- 1,5-2,5 knots in very choppy waters
- Separator functioning as temporary storage tank approx. 15m³ gross, 5m³ net
- Integrated high speed guide booms
- Effective in all oils from diesel to bunker
- Stored on either pallets or small boom reel



NOFI Harbour Buster™



NOFI Current Buster™



NOFI Ocean Buster™

Fig: The "NOFI Current Buster Technology"

Harbor, Current, Ocean



Traditional Application





Deploying in Static Mode



Deployment

































WARNING
DANGEROUS CARGO
NO HOTWORKS
NO SMOCKING
NO OPEN FLAMES

AK-0003-41





Recovery Specifics

- Encounter Rate
- Recovery Rate
- Skimmer Applicability
- Maintaining Continuous Operations
 - Secondary Storage



Questions?

